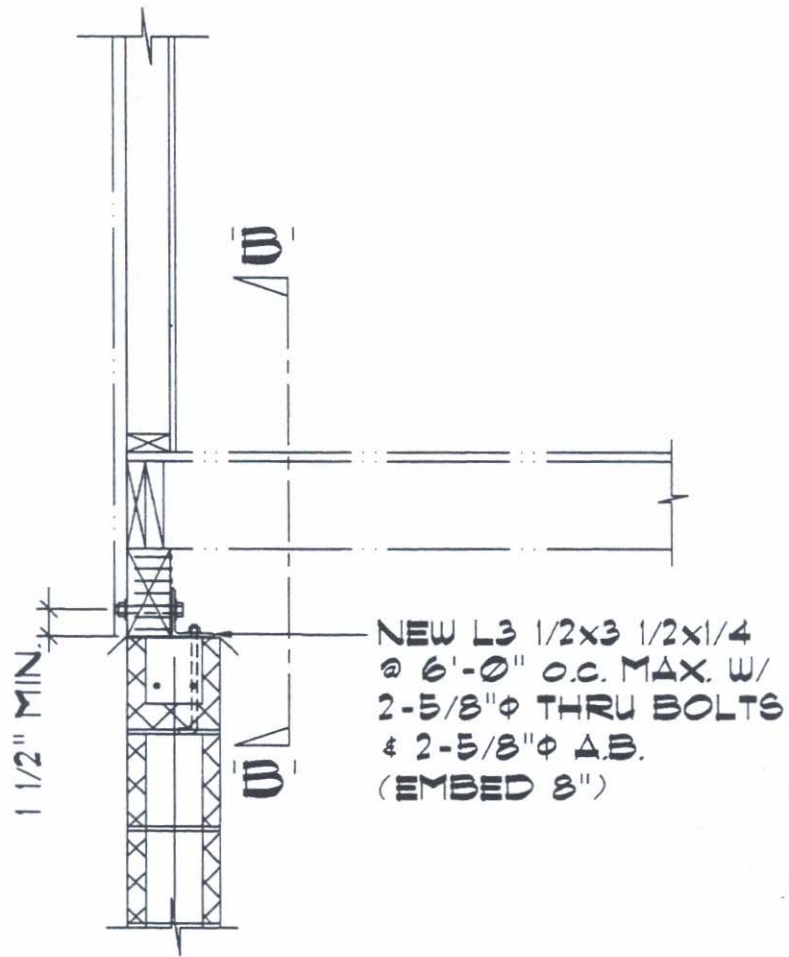


DETAIL 'B-B'



UPGRADED COND.

ANGLE CONNECTING 4x BEAM TO CMU WALL

SEISMIC ZONE	WIND EXPOSURE	DRAWING NUMBER
	C	3F

ANGLE TRANSFERS LATERAL (HORIZONTAL) FORCES FROM THE FLOOR BEAM INTO THE FOUNDATION