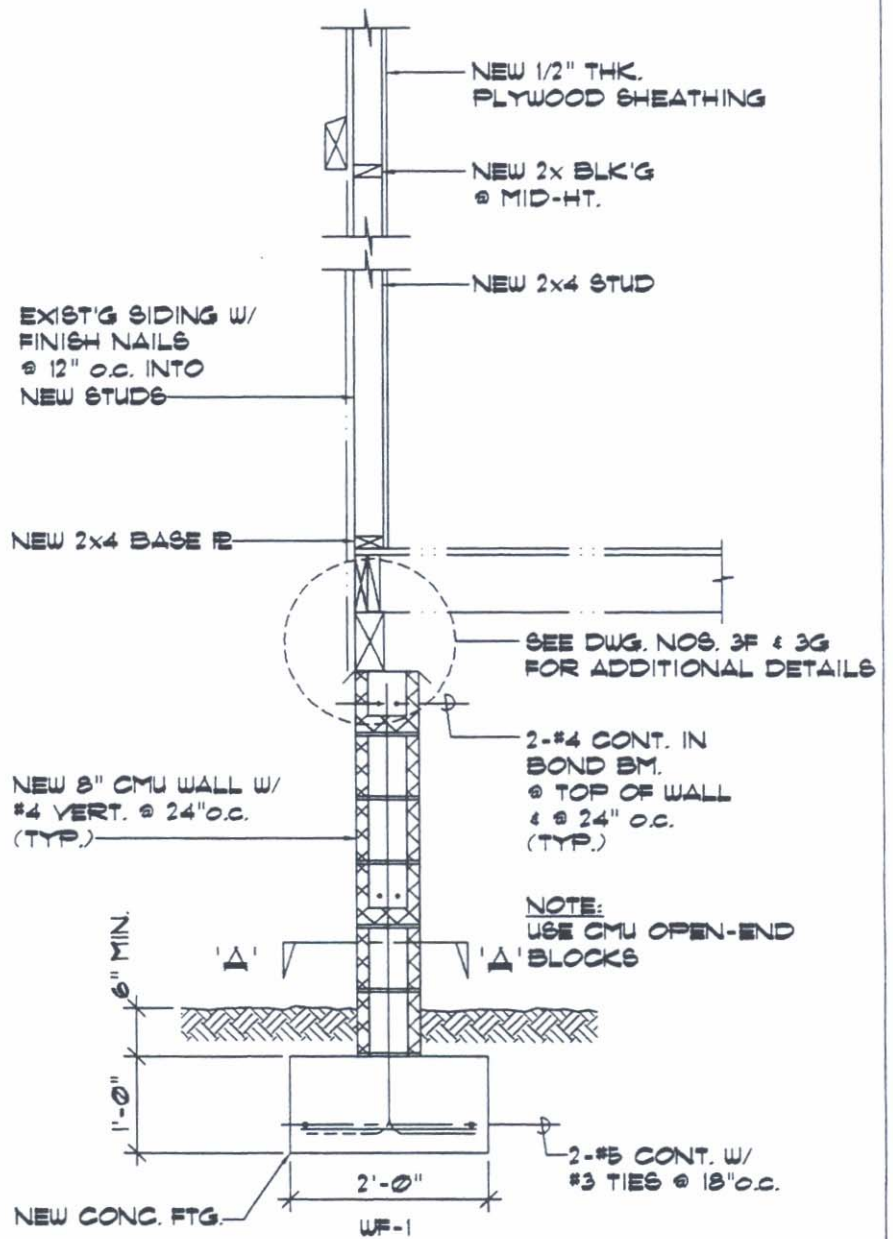
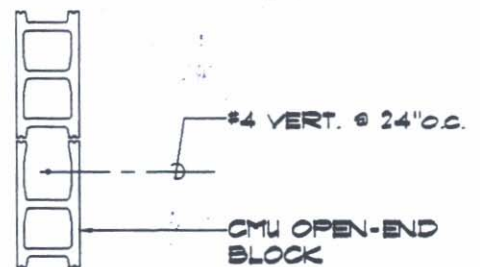


EXISTING COND.



UPGRADED COND.



SECT 'A-A'

**UPGRADE SINGLE WALL W/ INTERIOR STUDS,
PLYWOOD SHEATHING & TIE STRAP**

SEISMIC ZONE	WIND EXPOSURE	DRAWING NUMBER
	C	3E