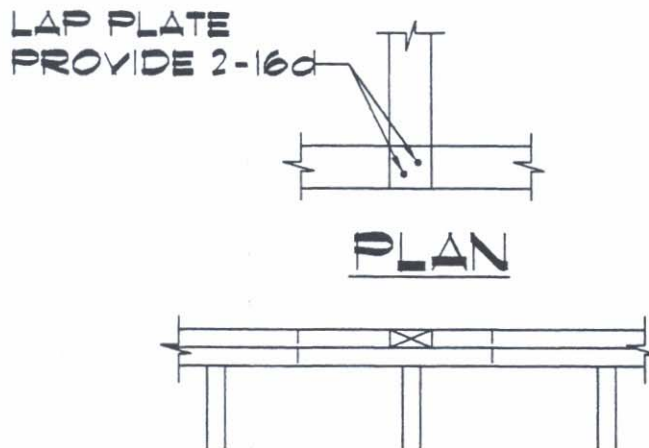


AT CORNER

AT PLATE SPLICE



AT INTERSECTING WALL

TYPICAL TOP PLATE DETAILS

SEISMIC ZONE	WIND EXPOSURE	DRAWING NUMBER
	C	13B