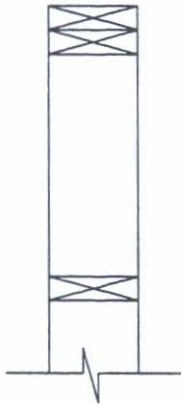


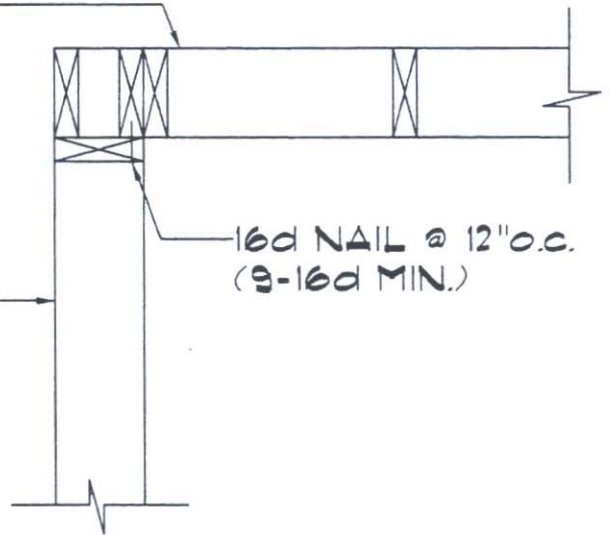
EXTERIOR FACE
OF SHEAR WALL



PLAN

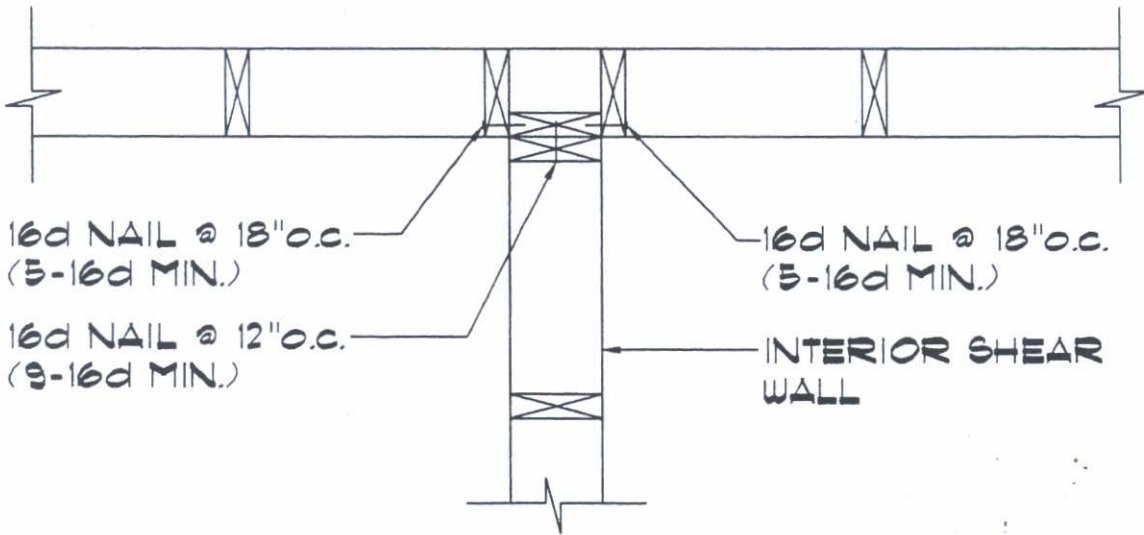
COND. AT END

EXTERIOR FACE
OF SHEAR WALL



PLAN

COND. AT CORNER



PLAN

COND. AT INTERSECTION

TYPICAL STUD WALL FRAMING DETAILS

SEISMIC ZONE	WIND EXPOSURE	DRAWING NUMBER
	C	13A