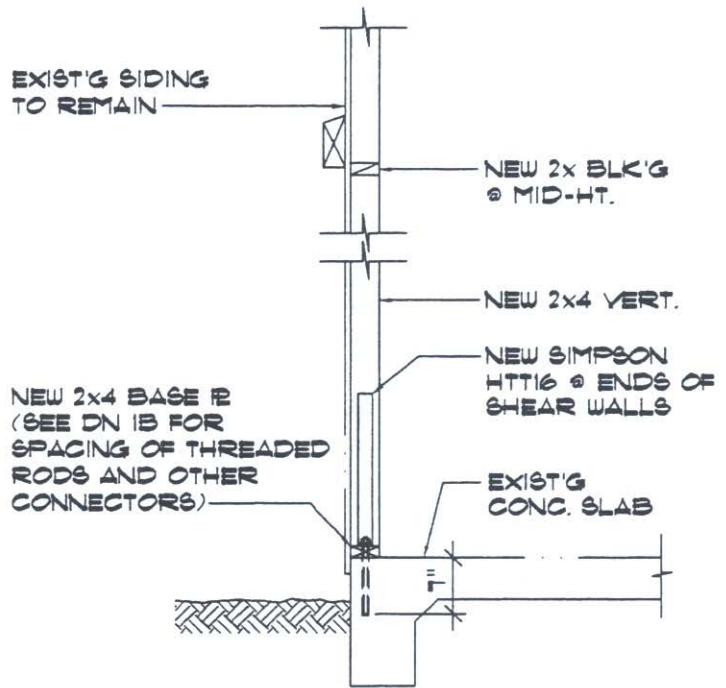


EXISTING COND.



UPGRADED COND.

**SINGLE WALL - SLAB-ON-GRADE FOUNDATION  
WALL UPGRADE**

SEISMIC ZONE	WIND EXPOSURE	DRAWING NUMBER
4		7A