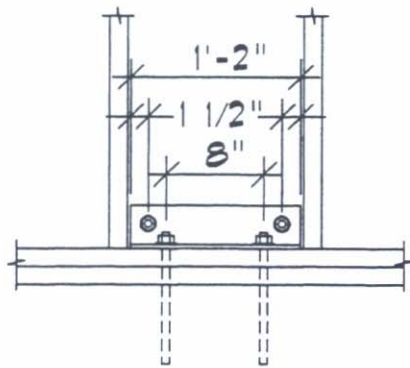


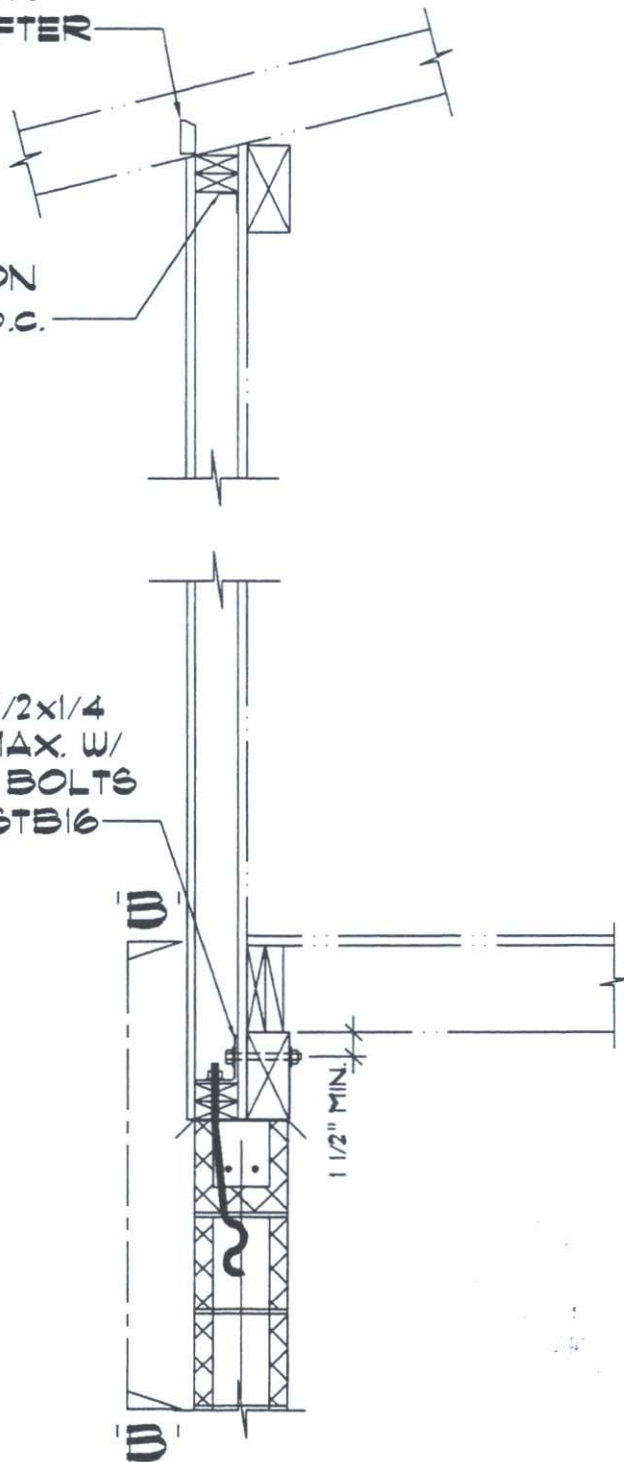
NEW SIMPSON
H1 @ EA. RAFTER

NEW SIMPSON
A35 @ 48" O.C.

NEW L3 1/2x3 1/2x1/4
@ 6'-0" O.C. MAX. W/
2-5/8"φ THRU BOLTS
& SIMPSON SSTB16



DETAIL 'B-B'



UPGRADED COND.

ANGLE CONNECTING 4x BEAM TO CMU WALL

SEISMIC ZONE	WIND EXPOSURE	DRAWING NUMBER
4		4F

ANGLE TRANSFERS LATERAL (HORIZONTAL) FORCES FROM THE FLOOR BEAM INTO THE FOUNDATION