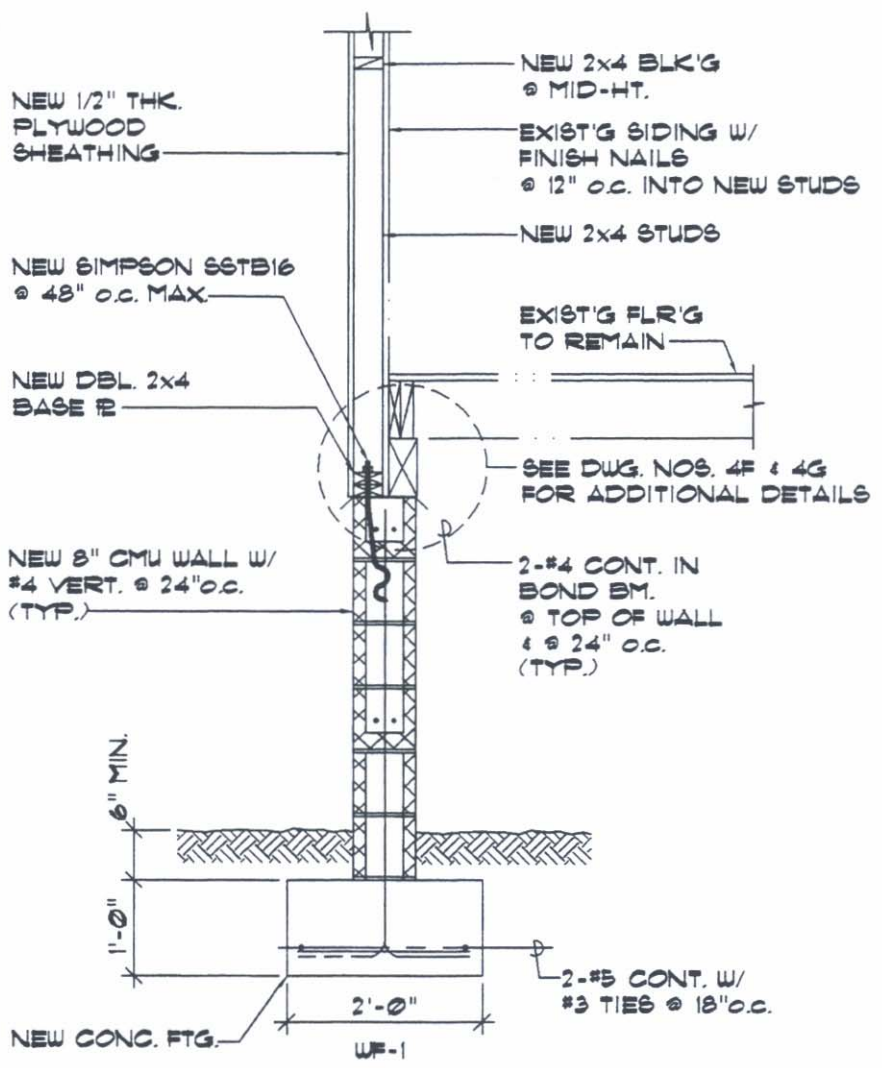
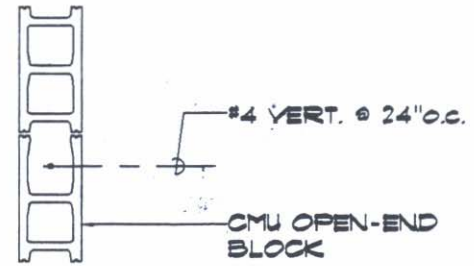


EXISTING COND.



UPGRADED COND.



SECT 'A-A'

UPGRADE SINGLE WALL W/ EXTERIOR STUDS, PLYWOOD SHEATHING & TIE STRAP

SEISMIC ZONE	WIND EXPOSURE	DRAWING NUMBER
4		4 III