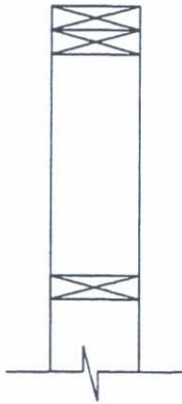


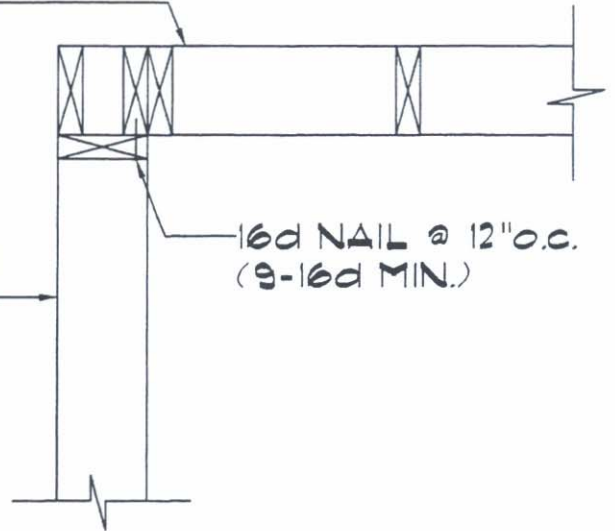
EXTERIOR FACE  
OF SHEAR WALL



PLAN

COND. AT END

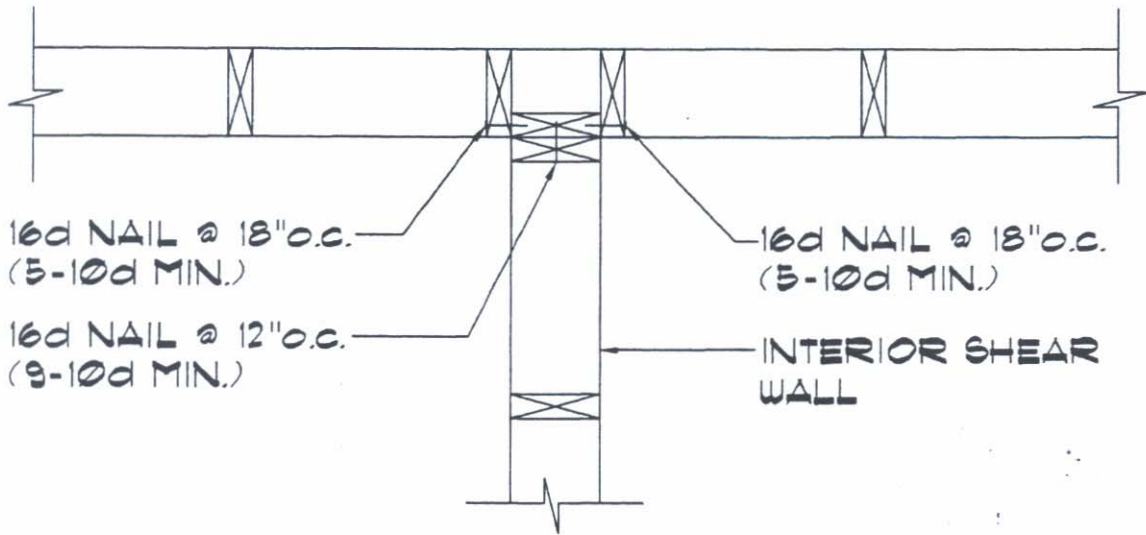
EXTERIOR FACE  
OF SHEAR WALL



16d NAIL @ 12" o.c.  
(9-16d MIN.)

PLAN

COND. AT CORNER



16d NAIL @ 18" o.c.  
(5-10d MIN.)

16d NAIL @ 12" o.c.  
(9-10d MIN.)

16d NAIL @ 18" o.c.  
(5-10d MIN.)

INTERIOR SHEAR  
WALL

PLAN

COND. AT INTERSECTION

TYPICAL STUD WALL FRAMING DETAILS

SEISMIC ZONE	WIND EXPOSURE	DRAWING NUMBER
4		10A